



## Technical comercial data

# E-2.5-UN T.E-4

Serie ELEGANCE – Versión 07-02-2024

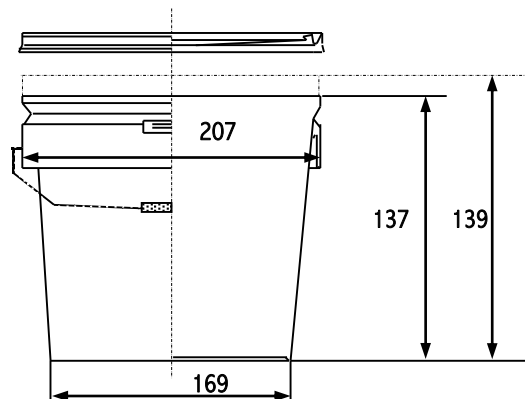
Approved UN 1H2/Y2.5/S Group II and III solids with inner bag, marked with a danger triangle for blind people.

### TECHNICAL DATA:

Material:	PP copolymer of first quality.
Colours:	White standard. Consult for other colours.
Useful Volume:	2.5 litres
Volume to the edge:	3.4 litres
Weight of the bucket:	130 g. approx.
Weight of the lid:	52 g. approx.
Weight of the handle (plastic):	8 g. approx.
Total Weight:	190 g. approx.
Decorative surface flat inks:	90 x 555 mm (height x perimeter)
Design surface photographic finish:	100 x 570 mm (height x perimeter)



### MEASUREMENTS:



Measurements in millimetres

### GROUPING OF TRANSPORT:

Buckets:	1020 buckets per pallet
Pallet dimensions:	1250 x 1040 x 1020 (see drawing)
Lids:	204 lids per box, this serves as a packaging of transportation
Box dimension:	420 x 220 x 1000

